

# H0FL-S04100SF/SN

## Ethernet over 4E1 converter



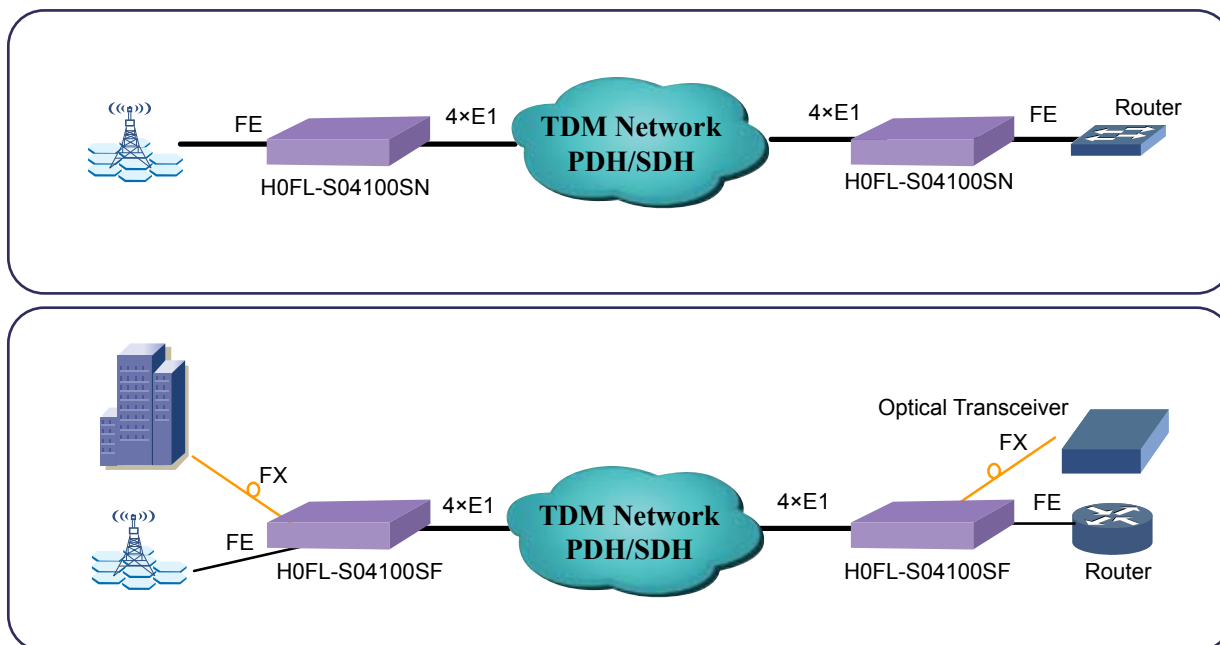
### ➤ Overview

H0FL-S04100SN/S04100SF is standard network adapter, which provides 2 10/100Base-Tx electrical Ethernet ports and 1 10/100Base-Fx optical Ethernet port. H0FL-S04100SN/S04100SF can convert Ethernet frame format into standard E1 frame format, then revert E1 frame format into Ethernet frame format on the peer end, so as to realize Ethernet data based on E1 Transmission, to access user data. It supports standard Ethernet GFP encapsulation. So it can easily cooperate with other vendor's converter

### ➤ Features

1. H0FL-S04100SN provides 2 10/100Base-Tx electrical Ethernet ports. H0FL-S04100SF provides 2 10/100Base-Tx electrical Ethernet ports and 1 10/100Base-Fx optical Ethernet port. Ethernet ports comply with IEEE 802.3/IEEE 802.3u and support IEEE 802.1Q/802.1P. 802.1Q VLAN configuration is also supported.
2. Ethernet ports support AUTO-MDIX under auto-negotiated mode, auto sense crossover/direct cables, can be connect to switches, network cards and routers easily.
3. Provide 1~4 E1 ports, 75Ω /120Ω selectable, comply with ITU-T G.703, G.823;
4. 1~8 E1 channels selectable, support LCAS, valid E1 channels can be judged and bandwidth can be adjusted automatically.
5. High buffer capability, low forward delay.
6. Easy installation. Need no configuration when p2p use.
7. Provide one SNMP ( 10/100Base-T) NMS interface.
8. Intercommunication with central equipment H0FL-P.V2 S08100 service card to realize network management and other standard Ethernet over E1 equipment produced by different manufacturers.
9. 19" 1U standard case, low consumption and high reliability
10. ~48VDC or ~220VAC or dual power supply.

## Typical Application



## Technical Specifications

Items	Description	
E1 Interface	Comply to ITU-T G.703 Code: HDB3 Bit rate 2048 kbit/s $\pm$ 50ppm Resistance: 75 $\Omega$ /120 $\Omega$ Connector: RJ-48C Number: 4	
ETH Interface	Auto negotiation 10/100M Half duplex/full duplex Connector: H0FL-S04100SN RJ45. H0FL-S04100SF RJ45(electrical) SC/FC(optical)	
Power	Supply	DC~48V(-36V~-72V)
	Consumption	$\leq$ 6 w
Environment	Temperature	0 $^{\circ}$ C~50 $^{\circ}$ C
	Humidity	0~90 %(non-condensing)
Dimension	width*height*depth(mm): 440 $\times$ 44 $\times$ 138	