

H5000

Multi-Functional Integrated Service Multiplexer



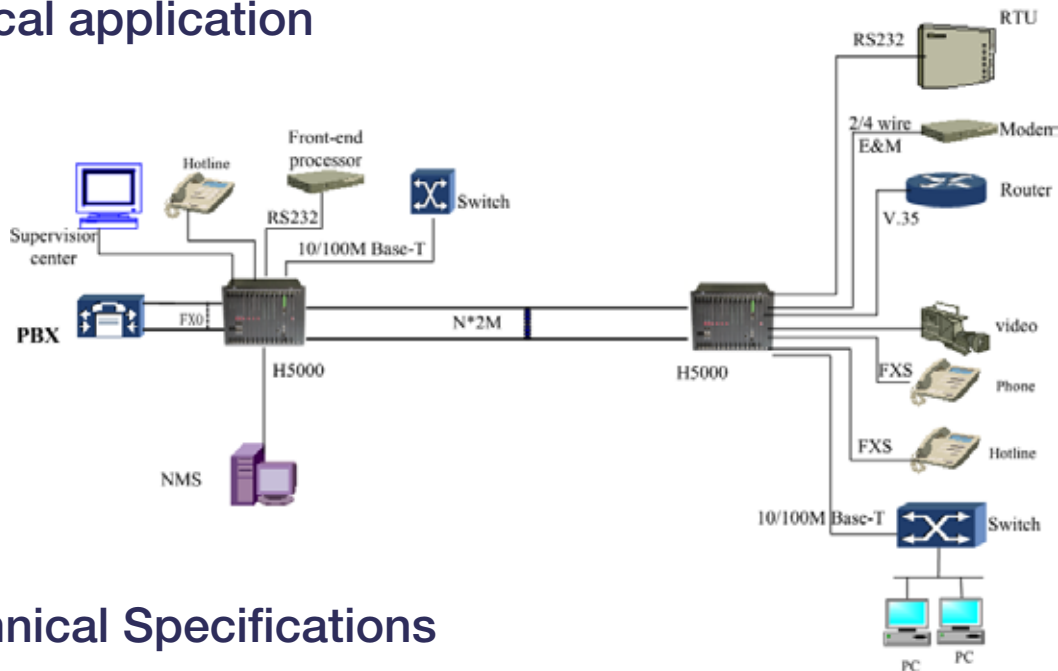
> Overview

H5000 integrated service access equipment have standard E1 interfaces, voice interfaces, data and MPEG2 or MPEG4 image interface. The equipment is an aggregation device, it integrates audio, data, and video in one system which can up to 16 insert different service cards ,which can be E1 ,MDX,DATA,CHU,VIDEO, has 16 slots including 12 general slots. The H5000 series equipments can provide network management system the management station executes TABS commands, connects the managed equipment with a RS485 or RS232 interface, easy to achieve the higher network management.

> Features

1. Integrates audio, data and video in one system.
2. 16 slots including 12 general slots
3. All the interfaces comply with the international standard.
4. Various service interface, including: E1, 10/100Base-Tx, V.35, Audio and Video, Ethernet, 64Kbps, V.35(N*64K), RS232/RS485, FXO/FXS, magnet telephone, hot line telephone, E&M etc.
5. Flexible configuration and setup, plug and play.
6. The bandwidth of data and video can be widened smoothly.
7. Max capacity of H5000 is 64*2M, max voice capacity 120 channels.
8. Powerful cross connection capacity 2048*2048 (64k basis) of H5000. H5000 can be configured as full 64*E1 DXC.
9. The power supply card and cross connection card support 1+1 redundancy with high reliability. All the cards support hot-swapping.
10. Unified network management platform, with perfect supervision and test function, remote-end manageable.

Typical application



Technical Specifications

Item	Description	
H5000 High-end Integrated Service Multiplexer	19 inch standard rack with 16 physical slots, 12 slots for general service cards	
Module type	PWR card	Support 1+1 dual protection,DC-48V input Ring voltage 75V, 25Hz, provide +5V and -5V for system
	MDX card	Provide 64*E1 cross connection ability Main control and monitoring function With 8*E1 interface (75Ω or 120Ω)
	E1 card	With 4*E1 or 8*E1 interface for more E1 applications
	CHU card	Provide 10 ports voice channels, support FXO/FXS, magnet phone, hotline phone, E&M, 64Kb data, RS232 data, RS485 data, V35 data etc.
	Data card	Support 10/100Base-T module and V35 data module
	VIDEO card	With 4*E1 interface, support MPEG-2 or MPEG-4 coding and decoding
NMS interface	Network management system interface	RS232 or RS485 Ethernet (SNMP)
Video	Video rate	128K-8M bps
	Video output mode	Fixed rate or variable rate
	PAL/NTSC	both supports
	PAL mode	720*576, 704*576, 640*576, 480*576, 352*576, 352*288, 176*144
	NISC mode	720*480, 704*480, 640*480, 480*480, 352*240, 352*480, 176*144
	Video output mode	TS/PS
	Code	ISO/IEC-14496-2 MPEG-4 SP@L1, L2 and L3 ISO/IEC-13818-2 MPEG-2 MP@ML
Audio	Audio sampling frequency	8K, 32K, 44.1K, 48KHz
	Coding mode	MPEG1 Audio Layer I/II, G.729, G.711, MP3
	Rate	8K,32K, 64K, 192K, 224K, 384K bps
	Audio mode	Stereo, Joint, Dual, Mono
Power supply consumption	DC-48V <100W (full loaded)	
Dimension	W×H×D (mm) 440×310×265	